



**NORDLAND
LIGHTING®**



Management System
ISO 9001:2015
www.siv.com
ID: 818080723



EZE SAFE Ex d

ZONE 1, 2

OVERVIEW

The EZE SAFE Ex d LED luminaire is designed for use in Zone 1/Zone 2 hazardous areas. This fitting has been extensively used in the mining industry due to its versatility in multiple applications including haulage, walkways conveyors, sub stations, washbays and underground roadway applications. The housing is

constructed from UV stabilized polycarbonate with a clear flame retarded polycarbonate lens. The EZE SAFE Ex d luminaire provides superior lighting with a 360-degree light output. This robust IP66/IK08 dust and waterproof fitting is suitable for use both underground and above surface in mining and industrial

applications. The luminaire can be supplied on a standalone basis or prewired at a customer's desired spacings. Installation is made easy via a power connection box. On request the EZE SAFE can be provided with an emergency operation 6W @ 1 hour minimum and / or a steel protector cage.

APPLICATIONS



INDUSTRIAL ENVIRONMENTS



MINING AND SURFACE AREAS



OIL AND GAS



WASHBAYS



HAZARDOUS AREAS

HAULAGE • MINING • HAZARDOUS

PERFORMANCE

Model Name	Eze Safe LED
Wattages	22W
Nominal Lumens	3190lm
System Lumens	2794lm
System efficacy lm/W	127lm/W
Emergency Operation	6W @ 1 hour minimum, 762 lumens

LED AND OPTICS

Optics	360 deg standard
Expected lifetime	>50000
L70 rating	>50000; @40°C; L70B10
Colour Rendering Index RA	80
Colour Temperature	6500K

ELECTRICAL AND OPERATING

Driver	LED Constant Current
Operating temperature	-20°C to +40°C
Input voltage/Frequency	110 and 230 VAC \pm 10%, 50/60 Hz; 12/24 VDC, 32VAC
Input Current	0,104 @22W 220VAC; 0,689 @22W 32VAC; 0,208@22w 110VAC
Power Factor	\geq 0.94
Other options	Various pre-wired options available on request

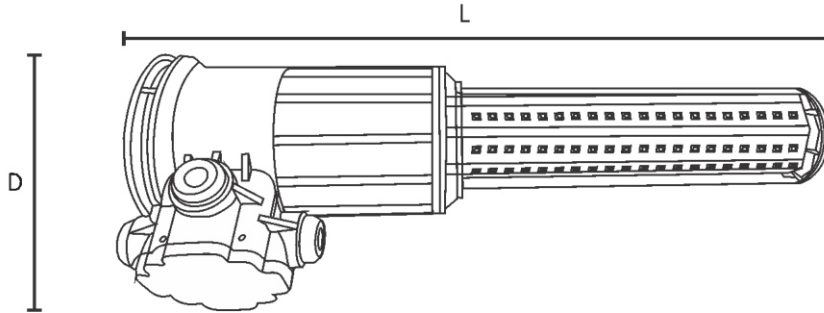
PRODUCT MATERIALS AND INSTALLATION

Housing	Polycarbonate UV stabilized
Lens	Polycarbonate UV stabilized
Gasket	Rubber O-ring cemented into groove
Finish	Standard Orange, Other colour options available on request for both body and lens.
Ingress Protection	IP66
IK Rating	IK08
Mounting Options	Cable connection via Power box

CERTIFICATIONS. STANDARDS

EX
Ex db I Mb IP66
Ex d IIB Gb IP66
Complies to SANS 60079-0
Complies to SANS 60079-1

DIMENSIONS



DIMENSIONS AND PACKAGING

Model	Ezesafe	Connection Box
Wattage	22W	
Dimensions mm (LxD)	155Ømm x 435mm	107mm x 107mm x 50mm
Weight Kg (Unit / packaged)	2.2kg / 2.3kg	



Example of EzeSafe Ex d with Power Box connection on Steel Wire Armoured (SWA) Cable for haulage application.
Various pre-wired options available on request.

PHOTOMETRIC PERFORMANCE:

As photometric data and IES files differ according to the selected optics and wattages, these are available on request

LIGHTING DESIGN SERVICES:

On request we can do lighting design for your application.

52 Fransen str, Chamdor
PO Box 2465
Noordheuwel Ext 4
1756
South Africa

T: 010 442 2809

E: sales@nordland.co.za

W: www.nordland-lighting.com

VISIT OUR
WEBSITE

